

# COVERT™ PRO SERIES (DOUBLE•DOT)

AG2302GB

## WINDAGE ADJUSTMENT (LEFT/RIGHT)

1. Gang (course) adjustment: If necessary, remove the gang adjustment screws and reposition the aperture to the approximate centershot position (3 mounting locations). Re-install screws.
2. Micro-adjustment: Loosen the windage lock screw and adjust the pin left/right. Always re-tighten the lock and screws prior to shooting (DO NOT OVER-TIGHTEN).

## INITIAL ELEVATION SETUP

1. Rotate the yardage adjustment knob to align the yardage pointer with the 20-yard mark on the pre-installed yardage tape. Re-tighten the yardage lock.
2. Loosen the elevation lock screws and vertically adjust the aperture until the green dot is sighted-in at 20 yards (do not turn the yardage adjustment knob during this step). Re-tighten the elevation lock screws prior to shooting (DO NOT OVER-TIGHTEN).
3. Pick a second yardage distance (minimum 40 yards is recommended) and sight-in the green dot by moving the yardage adjustment knob.
4. When the second distance is sighted-in, place a mark on the yardage tape for the second distance and move the yardage pointer back to the 20-yard position. Re-tighten the yardage lock.
5. Carefully remove the yardage tape from the bracket and match the two yardage marks (e.g., 20 and 40 yards) with the pre-printed tapes.
6. Carefully install the new tape. Be sure to match the 20 yardmark on the new tape with the yardage pointer position (20-yard position).
7. It is recommended that you confirm the accuracy of the pre-printed tape for all distances that you intend to shoot.
8. Install the adjustable max-yardage stop (see warning below).

## MULTIPLE YARDAGE POINTERS

DOUBLE•DOT models produced January 2020 and later now include two yardage pointers. While only one point is required to calibrate the sight, using two pointers can provide a yardage reference for the center green dot and the red long-range dot.

## WARNING: ADJUSTABLE MAX-YARDAGE STOP MUST BE INSTALLED

The adjustable yardage stop must be installed and positioned to limit the downward movement of the aperture. You must make sure that the aperture does NOT obstruct the path of the arrow when the aperture is in its lowest position. This could cause serious injury and damage to your equipment.

## GRAVITY-LINE™ Adjustment

1. Shoot multiple arrows from a distance of 20 yards, while moving the aperture down between each shot (e.g., rotating the yardage adjustment knob to a greater distance for each shot).
2. The arrows should be in a vertical line.
3. Loosen the GRAVITY-LINE lock screws and adjust as needed.
4. Re-tighten lock screws before shooting.

## RED REFERENCE DOT

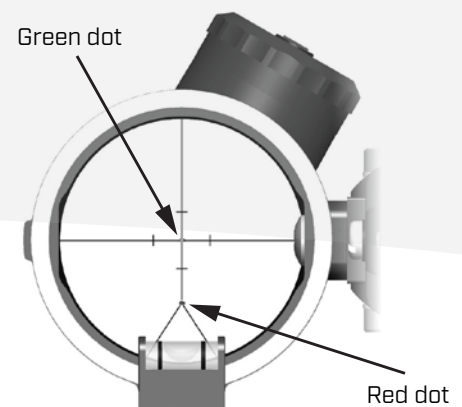
The DOUBLE•DOT system has all the advantages of a single-pin sliding sight, with an additional long range reference dot.

When the green dot is dialed to 20 yards, the red dot represents approximately 50 yards, (exact distance varies by bow and arrow combination) providing a visual reference for estimating holdover.

The red dot can also be used to extend the entire range of the sight. Example: when the green dot at its maximum distance of 80 yards, the red dot hits at 110 (exact values depend on bow and arrow set-up)

## APERTURE ALIGNMENT

1. If needed, the aperture can be better aligned with your peep sight.
2. Loosen the top windage gang adjustment lock screw and rotate the aperture to align the crosshair to the bow string.
3. Loosen the aperture left/right lock screw and adjust the aperture. Always re-tighten the lock screws prior to shooting (DO NOT OVER-TIGHTEN).



**APEX**  
GEAR

**WARNING:** This product can expose you to chemicals including chromium, which is known to the State of California to cause cancer and birth defects or other reproductive harm. For more information go to [www.P65Warnings.ca.gov](http://www.P65Warnings.ca.gov).

ART19A29JL

525 INTERNATIONAL PARKWAY, RICHARDSON, TEXAS 75081  
P# 972.774.0300 F# 972.774.0323 CONTACTUS@APEX-GEAR.COM

# COVERT™ PRO SERIES (DOUBLE·DOT)

AG2302GB

## LEVEL ADJUSTMENT

1. Loosen the level lock.
2. The level may be rotated around the level lock (3rd axis) or tilted horizontally using the two set screws.
3. Hold the level in place while re-tightening the level lock (DO NOT OVER-TIGHTEN). Please note that the level has been factory set and should work with most bow set-ups.

## LEFT-HAND ADJUSTMENT

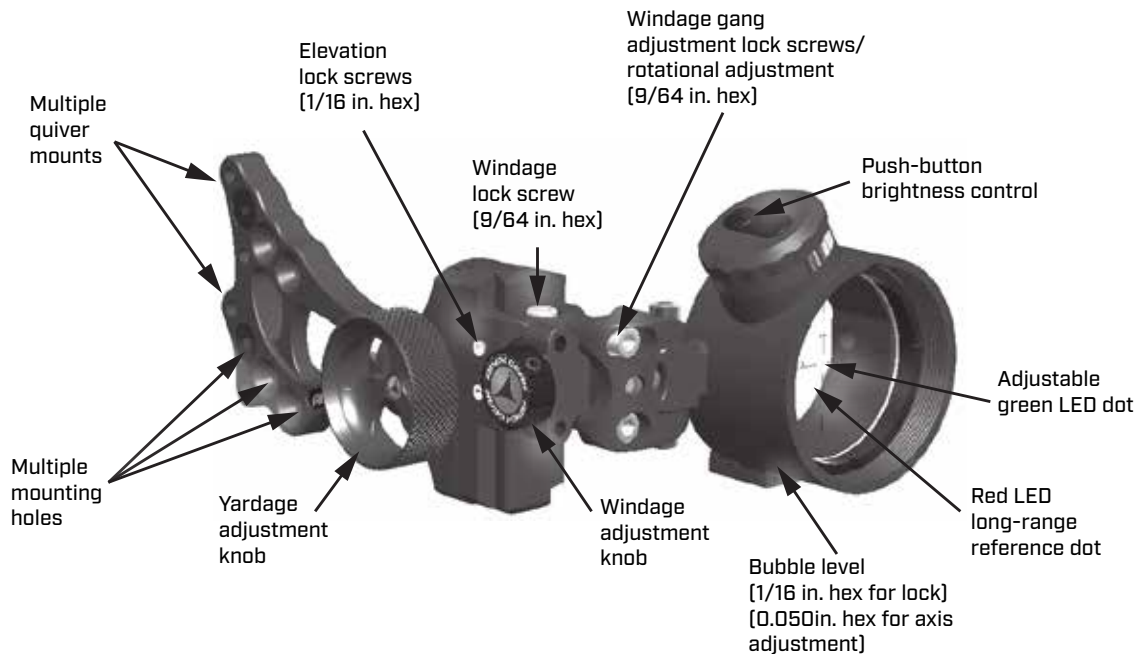
1. Flip the bracket upside down.
2. Remove the aperture up/down lock screw, rotate the aperture 180 degrees and re-install the screw on the opposite side of the aperture (DO NOT OVER-TIGHTEN).
3. Re-install the adjustable yardage stop.

## TO REPLACE BATTERIES

1. Unscrew the battery cover.
2. Install the CR2032 battery "+" side out.
3. Replace battery cover.

## BRIGHTNESS ADJUSTMENT

1. Press either the + or - button to turn on.
2. Use either + or - button to adjust brightness. Using the minimum visible brightness setting is recommended for best accuracy.
3. Optic will automatically power off after 4 hours without adjustment to preserve battery life.
4. To power off manually, press both buttons at the same time.



**WARNING:** Failure to follow instructions and warnings could cause serious injury. Always wear eye protection when using archery equipment and never dry fire a bow. Prior to use, always make sure your equipment is in good working condition (screws are tight, etc.). Before firing a bow, make sure nothing is in the path of the arrow or beyond the target (an adequate safety zone must be maintained). Always begin shooting at a relatively close distance to your target in order to first verify the accuracy of your equipment.

**WARNING:** This product can expose you to chemicals including chromium, which is known to the State of California to cause cancer and birth defects or other reproductive harm. For more information go to [www.P65Warnings.ca.gov](http://www.P65Warnings.ca.gov).

ART19A29JL

**APEX**  
GEAR

525 INTERNATIONAL PARKWAY, RICHARDSON, TEXAS 75081  
P# 972.774.0300 F# 972.774.0323 CONTACTUS@APEX-GEAR.COM